

*Sabaj*

*A20a*

使用说明书

深圳市大号科技有限公司

## 安全注意事项

- 请将本音响系统安装在通风良好、阴凉、干燥、干净的位置，远离直射阳光热源、振动、灰尘、潮湿或寒冷。
- 只能使用本机指定的电压。使用高于指定数值的电压很危险，而且可能导致火灾，损坏本机或造成人身伤害。对于使用高于指定电压造成的任何损害，深圳市大号科技有限公司将不负任何责任。
- 不要试图自行改造或修理本机。如果需要任何服务，请就近与有资格的深圳市大号科技有限公司维修人员联系。不管有任何理由，都没有打开机壳的必要。
- 如果打算长时间不使用本机（比如度假时），请从墙壁交流电源插座上断开电源线的连接。

## 保修条款

### 一、服务期限

深圳市大号科技有限公司承诺产品的良好品质，产品自售出之后7天内正常使用情况下出现故障，客户可以选择退货或者保修（不影响二次销售才可退货）。正常使用一年内出现故障可以免费保修。

二、购买日期以销售商开出的购机发票或收据日期为准，多购可以交易截图为准。

### 三、有以下情况都不能享受“三包”服务

1. 一切人为因素损坏，包括非正常工作环境下使用或不按照说明书使用。
2. 用户私自拆机、改装、维修。
3. 使用非指定或许可的配件造成损坏的。
4. 机身的QC或保修贴损毁。
5. 不能出示有效购机凭证。
6. 不属于本公司产品。

### 四、保修方式为送修

此条款只适于中国大陆，其它地区请参考当地销售代理商的规定和国家法规。

本说明书内容如有更新，恕不另行通知。若您使用的产品功能与说明书不一致时，请以产品为准！

## 产品特点

- 德国英飞凌最新数字大功率放大器芯片, 更高质的同时, 效率高, 能耗低;
- 蓝牙5.0接收, 更远的传输距离, 音质更好!
- 可桥接 (BTL) 成更大功率的单通道功放, 来驱动大音箱。或者设置成超低音功放模式, 来驱动无源超低音音箱。
- 内建低通电路, 超低音模式下, 低通截止频率70~200Hz可调, 以便匹配不同的主音箱。
- 全铝合金CNC加工工艺, 采用阳极氧化技术, 做工精细, 触感一流;
- 大量采用发烧级音频元件以提升主观听感;
- 高品质镀金输入、输出端子;
- 完善的过热, 过流等保护电路;
- 内置音频专用的高品质开关电源。

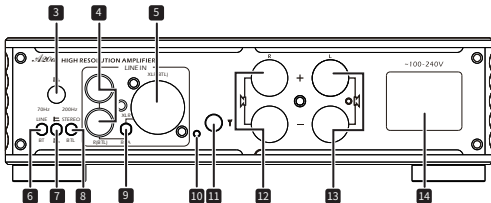
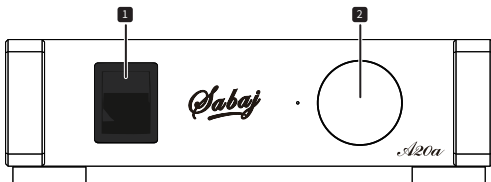
**技术参数**

输入接口 .....	RCA / XLR
超低失真度 .....	0.004%
信噪比 .....	103dB
通道分离度 .....	90dB
低通截止频率 .....	70~200Hz
输入灵敏度/输入阻抗.....	430 mV / 22k $\Omega$
输出功率	
立体声.....	170W x 2(4 $\Omega$ ) / 90W x 2(8 $\Omega$ )
BTL.....	350W x 1(4~8 $\Omega$ )
消耗功率 .....	40W
体积.....	200x220x59mm(WxHxD)
重量.....	1800g / 3.99Lbs

**关于蓝牙的使用注意事项说明**

- 使用环境有其它WiFi 2.4G、蓝牙设备,容易产生干扰,可能导致连接不成功,或者声音卡顿、甚至播放中断。
- 蓝牙还会因距离太远或受到阻挡物(如墙壁)阻隔而影响有效传输,建议一般无障碍直线距离为8-10米左右。
- 部分安卓移动设备,可能存在蓝牙不完全兼容的情况,而导致不能正常放,请使用前确认手机不存在兼容性问题。

## 功能和操作介绍



- |                 |                                      |
|-----------------|--------------------------------------|
| 1 电源开关          | 8 立体声 / 桥接(BTL)选择开关                  |
| 2 音量旋钮          | 9 XLR / RCA 选择开关(BTL时)               |
| 3 低通截止频率旋钮      | 10 蓝牙清除                              |
| 4 RCA输入         | 11 蓝牙天线                              |
| 5 XLR模拟输入       | 12 喇叭输出右声道                           |
| 6 线路 / 蓝牙输入选择开关 | 13 喇叭输出左声道                           |
| 7 全频 / 低通选择开关   | 14 电源输入(AC IN 100-240V) <sup>注</sup> |

## 功能和操作介绍

### 立体声应用：

参考上图，连接好音箱、电源。

#### ■ 线路输入模式

- 开关6、7、8都上拨，用屏蔽良好的RCA线材连接RCA插座4及音源输出的RCA插座。
- 电源开关1上拨打开电源，旋转音量旋钮2来调整合适的音量。

#### ■ 蓝牙输入模式

- 连接好蓝牙天线，开关6下拨，7、8都上拨，电源开关1上拨打开电源，手机打开蓝牙搜索到“SABAJ BT5.0C”，确认连接。
- 打开手机音乐播放器，打开要播放的音乐，手机音量尽量调最大。
- 旋转音量旋钮2来调整合适的音量。
- 如要改用其它手机进行蓝牙连接，但连接不上时，请用牙签等细长物按压住背板上“蓝牙清除”孔里面的按键1秒，进行蓝牙记忆清除后，再进行与其它手机配对。

### 桥接单声道(BTL)应用：

参考BTL模式音箱连接图，连接好音箱、电源。

#### ■ 全频RCA输入模式

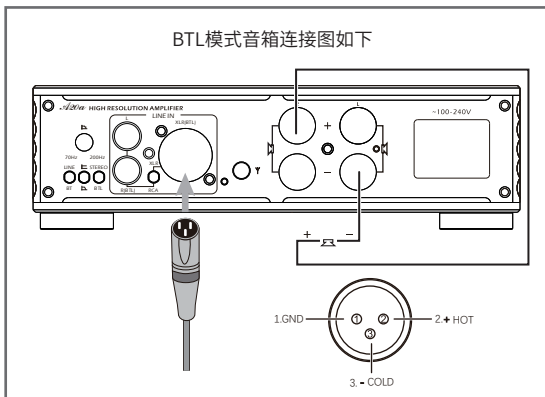
- 开关6、7都上拨，开关8、9都下拨，用屏蔽良好的RCA线材连接RCA，插座4及音源输出的RCA插座。
- 电源开关1上拨打开电源，旋转音量旋钮2来调整合适的音量。

#### ■ 全频XLR输入模式

- 开关6、7、9都上拨，开关8下拨，用屏蔽良好的XLR线材连接XLR插座5及音源输出的XLR插座。
- 电源开关1上拨打开电源，旋转音量旋钮2来调整合适的音量。

## 功能和操作介绍

BTL模式音箱连接图如下



参考BTL模式音箱连接图，连接好无源超低音音箱、电源。

### ■ 超低音RCA输入模式

- 开关6上拨，开关7、8、9都下拨，用屏蔽良好的RCA线材连接RCA插座4及音源输出的RCA插座。
- 旋转旋钮3来调整低通截止频率，以匹配主音箱。
- 电源开关1上拨打开电源，旋转音量旋钮2来调整合适的音量。

### ■ 超低音XLR输入模式

- 开关6、9都上拨，开关7、8都下拨，用屏蔽良好的XLR线材连接XLR插座5及音源输出的XLR插座。
- 旋转旋钮3来调整低通截止频率，以匹配主音箱。
- 电源开关1上拨打开电源，旋转音量旋钮2来调整合适的音量。

*Sabaj*

*A20a*

USER MANUAL

Shenzhen DaHao Technology Co.,Ltd.



## Safety Notes

- Install this unit in a well ventilated, cool, dry, clean place-away from direct sunlight, heat sources, vibration, dust, moisture, or cold..
- Do not attempt to modify or fix this unit. Contact qualified Sabaj service personnel when any service is needed. The cabinet should never be opened for any reason.
- When not planning to use this unit for long periods of time ( i. e. when going onvacation), disconnect the power cable from the AC wall outlet.
- When not planning to use this unit for long periods of time (i.e. when going on vacation), disconnect the power cable from the AC wall outlet.

## Warranty Terms

### 1. The term of service

Shenzhen Sabaj technology Co.,LTD promise good quality products. If product is defective unit by normal use with in 7daysafterpurchasing. The customer can choose to return or repair warranty( does not affect the secondary sales afterthey can return). Faulty for free with in one year warranty normal use.

### 2. Date of purchase is in accordance with invoice date or receipt date issued by seller, online shopping can cut trade shots.

### 3. Following situation can not enjoy“Three Guarantees service”

- a. All damages by human factors, including use it under nonrml workingenvironment the and not following manual instruction.
- b. User privately disassemble, modification, maintenance.
- c. Use non-designated or approved accessories cause damage.
- d. QC or warranty stickers damage on cabinet.
- e. Can not provide a valid purchasing prove.
- f. Not belong to Sabaj product.

### 4. How to warranty

This term is only suitable for china mainland, other regionplease refer to the policy of the local sales agents and national regulations.

The contents of this manual are updated without prior notice. If the function of the product you are using is inconsistent with the instructions,the function of the product shall prevail!

## Features

- Germany Infineon's latest digital high-power amplifier chip has higher quality, high efficiency and low energy consumption;
- Bluetooth 5.0 reception, longer transmission distance, better sound quality!
- It can be BTL into a single-channel amplifier with higher power to drive large speakers. Or set it to subwoofer mode to drive passive subwoofers.
- Built-in low-pass circuit, in subwoofer mode, the low-pass cutoff frequency is adjustable from 70 to 200Hz to match different main speakers.
- All aluminum alloy CNC processing technology, using anodizing technology, fine workmanship, first-class touch;
- A large number of audiophile-grade audio components are used to enhance the subjective sense of hearing;
- High-quality gold-plated input and output terminals;
- Perfect overheating, overcurrent and other protection circuits;
- Built-in audio dedicated high-quality switching power supply.

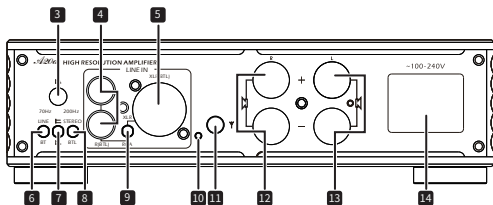
## Specifications

Inputs .....	RCA / XLR
THD+N .....	0.004%
SNR .....	103dB
Channel separation .....	90dB
Low pass cutoff frequency.....	70~200Hz
Input Sensitivity / Input Impedance .....	430mV / 22k $\Omega$
Output Power	
Stereo .....	170Wx2(4 $\Omega$ )/90Wx2(8 $\Omega$ )
BTL .....	350Wx1(4~8 $\Omega$ )
Power Consumption .....	40W
Standby power .....	<0.6W
Size .....	200x220x59mm(WxHxD)
Weight .....	1800g / 3.99Lbs

## Notes on the use of Bluetooth

- There are other WiFi 2.4G and Bluetooth devices in the use environment, which is prone to interference, which may lead to unsuccessful connection, or sound freeze, or even interruption of playback.
- Bluetooth also affects effective transmission due to too long a distance or being blocked by a block (such as a wall). It is recommended that the straight-line distance for obstacles is generally about 8-10 meters.
- For some Android mobile devices, Bluetooth may not be fully compatible, which may result in abnormal playback. Please confirm that there is no compatibility issue with the mobile phone before use.

## Function and Operation Introduction



- |  |                                       |
|--|---------------------------------------|
| 1 Power switch                         | 8 Stereo/BTL selector switch          |
| 2 volume knob                          | 9 XLR / RCA selector switch (for BTL) |
| 3 Low Pass Cutoff Frequency Knob       | 10 bluetooth clearing                 |
| 4 RCA input                            | 11 bluetooth antenna                  |
| 5 XLR analog input                     | 12 Speaker output right channel       |
| 6 Line/Bluetooth input selector switch | 13 Speaker output left channel        |
| 7 Full-range/low-pass selector switch  | 14 Power input (AC IN 100~240V)       |

## Display Interface and Instructions

### Stereo application:

Refer to the picture above and connect the speakers and power supply.

#### ■ Line Input Mode

- Switches 6, 7, and 8 are all turn up, and use a well-shielded RCA cable to connect the RCA socket 4 and the RCA socket of the audio source output.
- Turn on the power by turning on the power switch 1 and turn the volume knob 2 to adjust the appropriate volume.

#### ■ Bluetooth input mode

- Connect the Bluetooth antenna, switch 6 is turn down, switches 7 and 8 are turn up, turn on the power switch 1, turn on the bluetooth on the mobile phone and search for "SABAJ BT5.0C" to confirm the connection.
- Open the mobile phone music player, open the music to be played, and adjust the volume of the mobile phone to the maximum.
- Rotate volume knob 2 to adjust the appropriate volume.
- If you want to use another mobile phone for Bluetooth connection, but cannot connect, please press the button in the "Bluetooth Clear" hole on the back panel for 1 second with a slender object such as a toothpick, and then perform pairing with other mobile phones after clearing the Bluetooth memory.

### BTL Applications:

Refer to the BTL mode speaker connection diagram to connect the speakers and power supply.

#### ■ Full-range RCA input mode

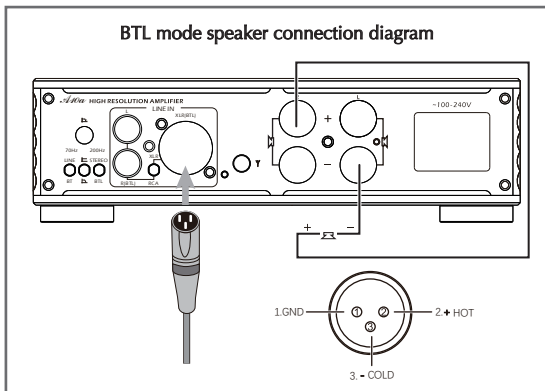
- Switches 6 and 7 are turn up, switches 8 and 9 are turn down, and a well-shielded RCA cable is used to connect the RCA, socket 4 and the RCA socket of the audio source output.
- Turn on the power switch 1 and turn the volume knob 2 to adjust the appropriate volume.

#### ■ Full-range XLR input mode

- Switches 6, 7, and 9 are turn up, and switch 8 is turn down. Use a shielded XLR cable to connect the XLR socket 5 and the XLR socket of the audio source output.
- Turn on the power switch 1 and turn the volume knob 2 to adjust the appropriate volume.

## Display Interface and Instructions

### BTL mode speaker connection diagram



Refer to the BTL mode speaker connection diagram, and connect the passive subwoofer and power supply.

#### ■ Subwoofer RCA input mode

- switch 6 is turn up, switches 7, 8, and 9 are turn down. Use a well-shielded RCA cable to connect RCA socket 4 and the RCA socket of the audio source output.
- Rotate Knob 3 to adjust the low-pass cutoff frequency to match the main speaker.
- Turn on the power switch 1 and turn the volume knob 2 to adjust the appropriate volume.

#### ■ Subwoofer XLR input mode

- Switches 6 and 9 are turn up, switches 7 and 8 are turn down, and a well-shielded XLR cable is used to connect XLR socket 5 and the XLR socket of the audio source output.
- Rotate Knob 3 to adjust the low-pass cutoff frequency to match the main speaker.
- Turn on the power switch 1 and turn the volume knob 2 to adjust the appropriate volume.